

# 500 series SQUARE LED Work Lamp

10~70VDC



## FEATURES

- Model: WLC506FB-D7 Flood (wide beam)
- Heavy-Duty Powder Coated Die Cast Aluminum
- Weatherproof and Vibration resistant
- LEDs rated to 100,000 hours of operation
- Reverse Polarity Protection
- Multi-Voltage Input 11~70VDC for worldwide use
- Applications: Police, Fire, Ambulance, Tow, Construction, Mining, Off-road

## SPECIFICATIONS

**Meets :** EMC, IP67

**LED Element :** High-Intensity LED x 6pcs

**LED Output :** 1900lm

**LED Current :** 1 Amps

**Operates Voltage :** 10-70VDC

**Max. Current (Amps) :** 2A @12.8VDC / 0.9A @25.6VDC

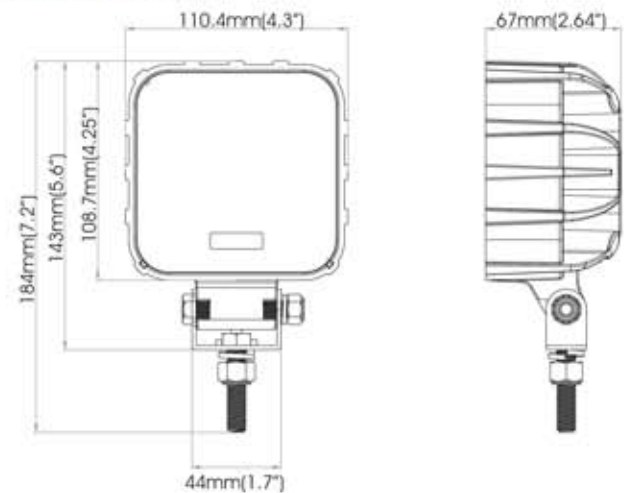
**Max. Power :** 27 Watts

**Wires :** Red-Vcc : 22AWG / 120cm

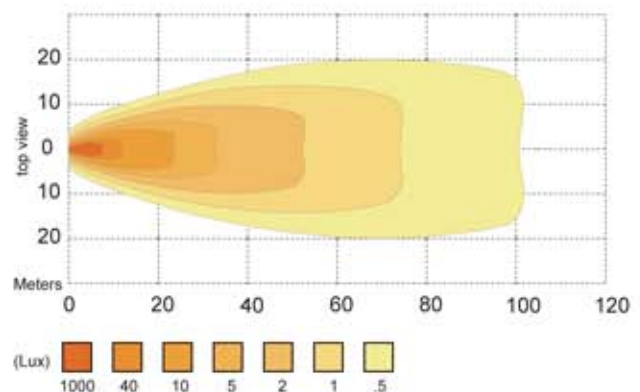
Black-GND : 22AWG / 120cm

**Fuse Recommend :** 5 Amps

## DIMENSIONS



## BEAM PATTERN



To Order Call Us at Territorial Supplies, Inc.  
PO Box 474 \* Council, ID 83612 \* (208) 253-0036 \* 800-221-7702  
sales@territorialsupplies.com \* www.territorialsupplies.com

Rev. 130726  
© 2013