

It's Safe.  
It's Smooth.  
It's Stout.

New Heavy-Duty

# Titan Mount™



**Havis-Shields**  
EQUIPMENT CORPORATION

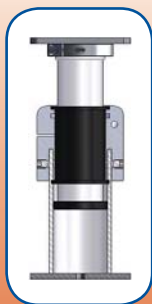
DISTRIBUTED BY  
**TERRITORIAL SUPPLIES, INC.**  
PO BOX 474 \* COUNCIL, ID 83612  
800-221-7702 \* 208-253-0085 F  
[WWW.TERRITORIALSUPPLIES.COM](http://WWW.TERRITORIALSUPPLIES.COM)

# Heavy Duty

The Havis-Shields **Titan Mount** is a rugged, professional grade computer mount that combines the perfect balance of strength, safety, and ultra-smooth operation worthy of your most mission critical computer devices.



- **Titan Mount is stout.** Heavy gauge steel poles, welded, rigid seat bases along with its universal support arms virtually eliminate wobble and vibration that can make reading difficult.
- **Titan Mount is safe.** A standard stop collar allows the installer to adjust the height and limit the computer from telescoping below desired height. Order the optional top lock and the entire rotation can be positively locked in place to prevent the unit from spinning in a collision or air bag deployment.
- **Titan Mount is smooth.** Designed with a unique precision machined aluminum clamp and lever along with a PVC split sleeve for no metal-to-metal contact when adjusting the pole. All moving parts have a glossy, ultra smooth e-coat finish which further reduces friction. Order the optional "lift assist" gas shock kit that you can drop in the pole assembly and the **Titan Mount**



will help you do the lifting and prevents the heavy equipment from slamming down.

...Nothing comes close to the **Titan Mount** from Havis-Shields.

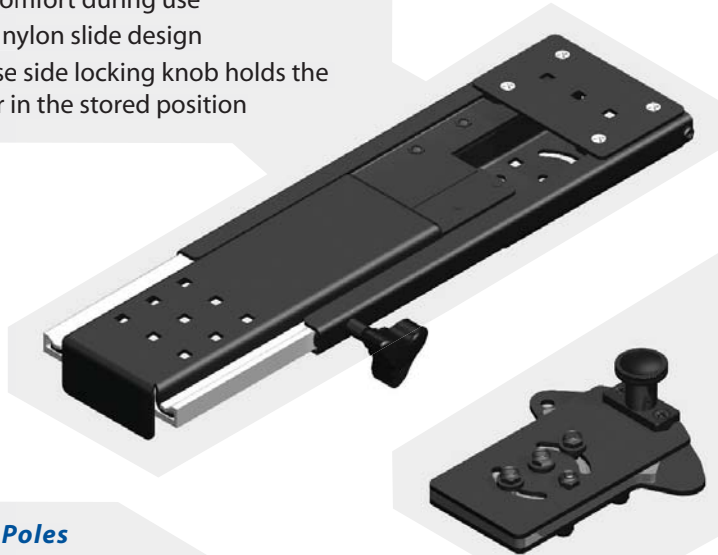
DISTRIBUTED BY  
**TERRITORIAL SUPPLIES, INC.**  
PO BOX 474 \* COUNCIL, ID 83612  
800-221-7702 \* 208-253-0085 F  
[WWW.TERRITORIALSUPPLIES.COM](http://WWW.TERRITORIALSUPPLIES.COM)



### Sliding Top Offset Platform (shown)

C-HDM-305

- 12" arm extends an additional 6" for optimal comfort during use
- Compact nylon slide design
- Easy to use side locking knob holds the computer in the stored position



### Fixed Top Offset Platforms (not shown)

C-HDM-301 - C-HDM-304

- Allows for strong and comfortable positioning of computer equipment
- Offset from center of pole towards the center of vehicle.
- Available in 0", 3", 6", & 9" offset

### Safety Lock Mechanism

C-HDM-402 - Optional

- Positive lock position when not in use
- Easy to use spring release pin
- Highly recommended for all applications
- Easily installs with all 300 series top offsets

### Telescoping Poles

C-HDM-200 Series

- Precision machined solid billet aluminum clamp collar
- Heavy gauge steel poles & close tolerance PVC bushings on all bearing surfaces
- Available in three sizes - 6", 9", & 12"
- Bolts to any C-HDM-100 Series bases and two console side mounts
- Standard ratcheting clamping lever provides easy up and down pole adjustment
- Allows for 360° rotation adjustment
- Standard adjustable stop collar limits the computer from telescoping below desired height



### Stability Support Arm

C-HDM-401 - Optional

- Adds upper support for premium top level stability
- Highly recommended for all applications
- Mounts to OEM frame under passenger glove box door
- Simple "slide and tighten" length adjustment

### "Lift Assist" Gas Shock

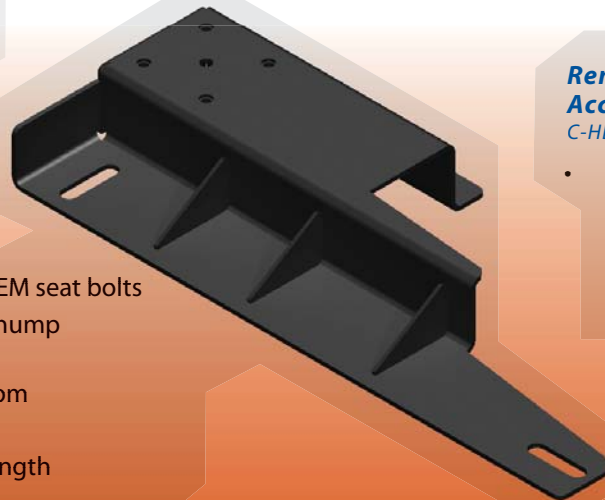
C-HDM-406 & C-HDM-407 - Optional

- Ergonomic advantage easily installs inside pole assembly
- Helps smoothly lift heavy equipment
- Prevents computer equipment from slamming down when unlocked
- Available for C-HDM-202 & 203

### Vehicle Specific Bases

C-HDM-100 Series

- Vehicle specific bases mount to existing OEM seat bolts
- Works in conjunction with Havis-Shields® hump mount brackets
- Various vehicle specific bases to choose from
- Manufactured from 10 gauge steel
- Gusseted and welded design for extra strength



### Removable Peripheral & Accessory Shelf

C-HDM-403 - Optional

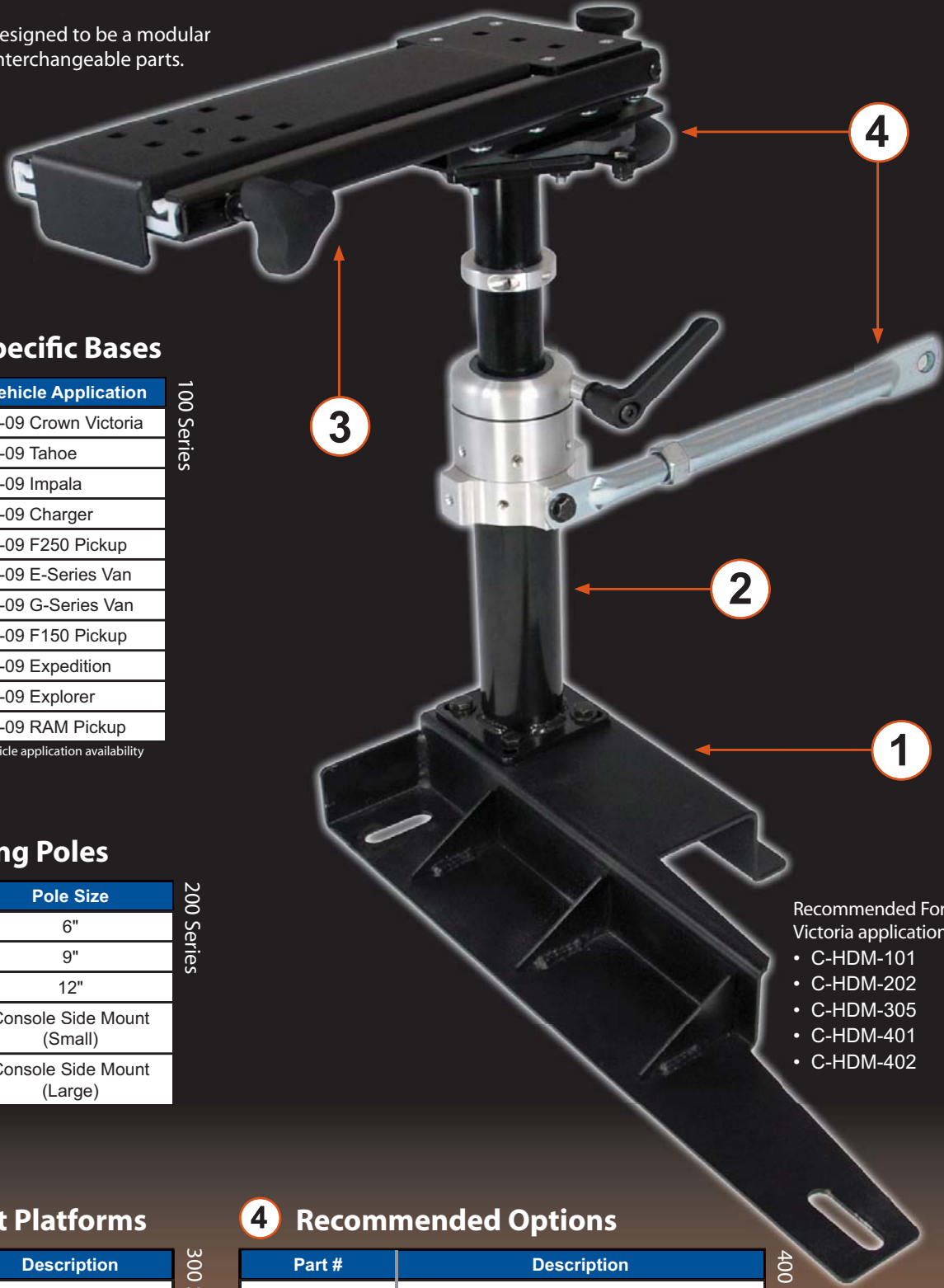
- Support arm attached to the poles for holding peripherals like USB hubs, printers and more without losing strength and stability (not shown)

# Titan Mount: How To Order

DISTRIBUTED BY  
**TERRITORIAL SUPPLIES, INC.**  
 PO BOX 474 \* COUNCIL, ID 83612  
 800-221-7702 \* 208-253-0085 F  
 WWW.TERRITORIALSUPPLIES.COM

Bases, Poles, Top Offset Platforms, & Options are ordered as individual components.

The **Titan Mount** is designed to be a modular system that utilizes interchangeable parts.



## 1 Vehicle Specific Bases

Part #	Vehicle Application
C-HDM-101	'95-09 Crown Victoria
C-HDM-102	'00-09 Tahoe
C-HDM-103	'06-09 Impala
C-HDM-104	'08-09 Charger
C-HDM-105	'08-09 F250 Pickup
C-HDM-106	'94-09 E-Series Van
C-HDM-107	'97-09 G-Series Van
C-HDM-108	'04-09 F150 Pickup
C-HDM-109	'97-09 Expedition
C-HDM-110	'02-09 Explorer
C-HDM-111	'02-09 RAM Pickup

100 Series

\* Check website for additional vehicle application availability

## 2 Telescoping Poles

Part #	Pole Size
C-HDM-201	6"
C-HDM-202	9"
C-HDM-203	12"
C-HDM-204	Console Side Mount (Small)
C-HDM-205	Console Side Mount (Large)

200 Series

Recommended Ford Crown Victoria application shown

- C-HDM-101
- C-HDM-202
- C-HDM-305
- C-HDM-401
- C-HDM-402

## 3 Top Offset Platforms

Part #	Description
C-HDM-301	0" Fixed Mount
C-HDM-302	3" Fixed Mount
C-HDM-303	6" Fixed Mount
C-HDM-304	9" Fixed Mount
C-HDM-305	9" - 15" Slide Mount

300 Series

## 4 Recommended Options

Part #	Description
C-HDM-401	Side Mount Support Arm
C-HDM-402	Safety Lock Assembly
C-HDM-403	Removable Peripheral & Accessory Shelf
C-HDM-406	Gas Shock for C-HDM-202
C-HDM-407	Gas Shock for C-HDM-203

400 Series